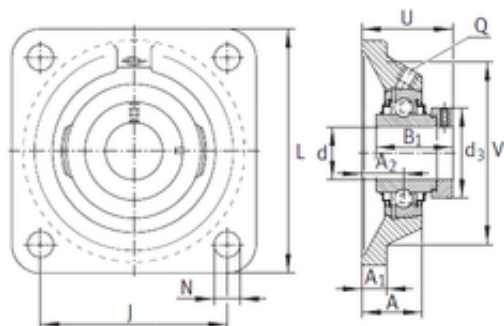




# TM - SNR Axis Manufacturing Co.

## INA RCJ60-N Unidad De Rodamiento



Bearing No. RCJ60-N

Bore Diameter	60 mm
d	60 mm
V	150 mm
U	80,9 mm
Thread (Q)	Rp1/8
d3	84 mm
A	46 mm
A1	16 mm
B1	77,9 mm
J	143 mm
L	175 mm
N	18 mm
A2	34 mm
Weight	4,21 Kg
Basic dynamic load rating (C)	52 kN
Category	Flange Block Bearings
Inventory	0.0
Manufacturer Name	SCHAEFFLER GROUP
Minimum Buy Quantity	N/A
Weight / Kilogram	5.329
EAN	4012802838725
Product Group	M06110
Number of Mounting Holes	4
Mounting Method	Eccentric Collar
Housing Style	4 Bolt Square Flange Block
Rolling Element	Ball Bearing

RCJ60-N Bearing 2D drawings and 3D CAD models



## TM - SNR Axis Manufacturing Co.

Housing Material	Cast Iron
Expansion / Non-expansion	Non-expansion
Mounting Bolts	18 Millimeter
Relubricatable	Yes
Insert Part Number	GE60KRRB
Seals	Double Land Riding Rubber Contact
Housing Configuration	1 Piece Solid
Pilot Configuration	No Pilot
Inch - Metric	Metric
Long Description	4 Bolt Square Flange Block; 60MM Bore; 202MM Bolt Circle; 143MM Bolt Spacing; 1 Piece Solid; Eccentric Collar Mount; Cast Iron; Ball Bearing; 77.8MM Length Thru Bore; Relubricatable; Double Land Ridin
Other Features	Single Row   End Cap   With Set Screw
Category	Flange Block
UNSPSC	31171501
Harmonized Tariff Code	8483.20.40.40
Noun	Bearing
Keyword String	Flanged
Manufacturer URL	<a href="http://www.ina.com">http://www.ina.com</a>
Manufacturer Item Number	RCJ60N
Weight / LBS	11.025
Cartridge Pilot Depth	0 Inch   0 Millimeter
Length Thru Bore	3.063 Inch   77.8 Millimeter
Cartridge Pilot Diameter	0 Inch   0 Millimeter
Bore	2.362 Inch   60 Millimeter
Nominal Bolt Circle Diameter Round	8 Inch   202 Millimeter



## TM - SNR Axis Manufacturing Co.

Bolt Spacing	5.63 Inch   143 Millimeter
--------------	----------------------------