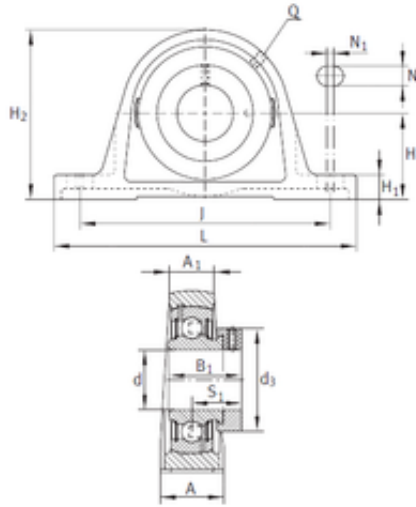




# TM - SNR Axis Manufacturing Co.



## INA PAK3/4 Unidad De Rodamiento

Bearing No. PAK3/4

Bore Diameter	19.05 mm
d	19.05 mm
S1	23,495 mm
Thread (Q) - 1/4-28 UNF	1/428 UNF
d3	32,995 mm
A	32,004 mm
A1	19,99 mm
B	30,988 mm
H	31,801 mm
H1	13,005 mm
H2	62,789 mm
J	96,012 mm
L	129,998 mm
N	10,999 mm
N1	8,992 mm

PAK3/4 Bearing 2D drawings and 3D CAD models