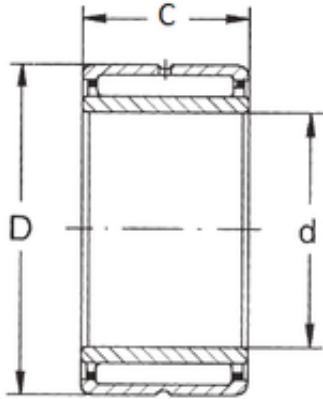




TM - SNR Axis Manufacturing Co.



70 mm x 95 mm x 35 mm FBJ NKI 70/35 Rodamientos De Agujas

Bearing No. NKI 70/35

Size	70x95x35 mm
Bore Diameter	70 mm
Outer Diameter	95 mm
Width	35 mm
d	70 mm
D	95 mm
B	35 mm
C	35 mm
Weight	0,737 Kg
Basic dynamic load rating (C)	79 kN
Basic static load rating (C0)	184 kN
(Grease) Lubrication Speed	3300 r/min

NKI 70/35 Bearing 2D drawings and 3D CAD models